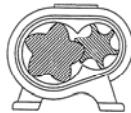
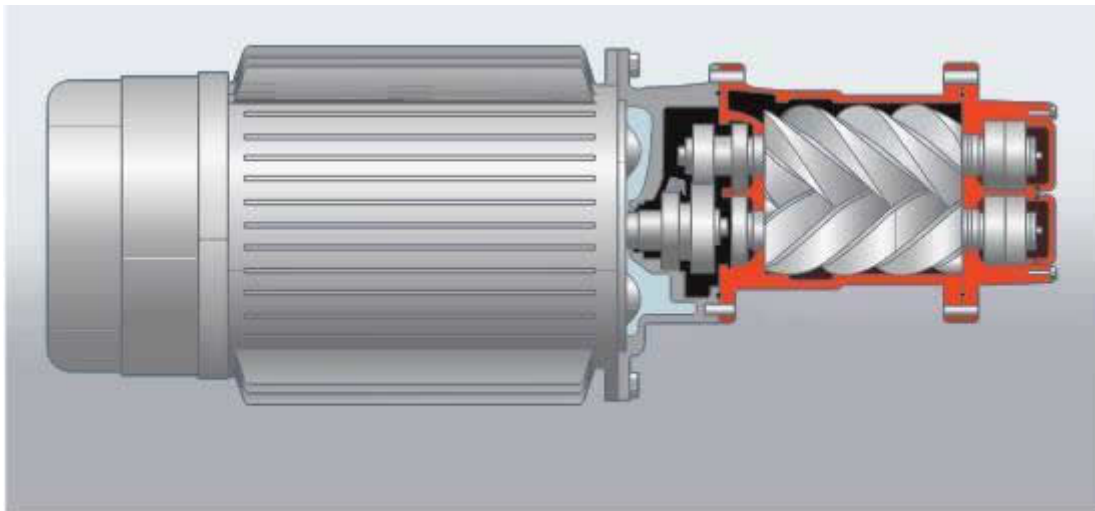


D.O.O
„TONI KOMPRESORI”
Rajka Rakočevića 40
23000 Zrenjanin
Srbija

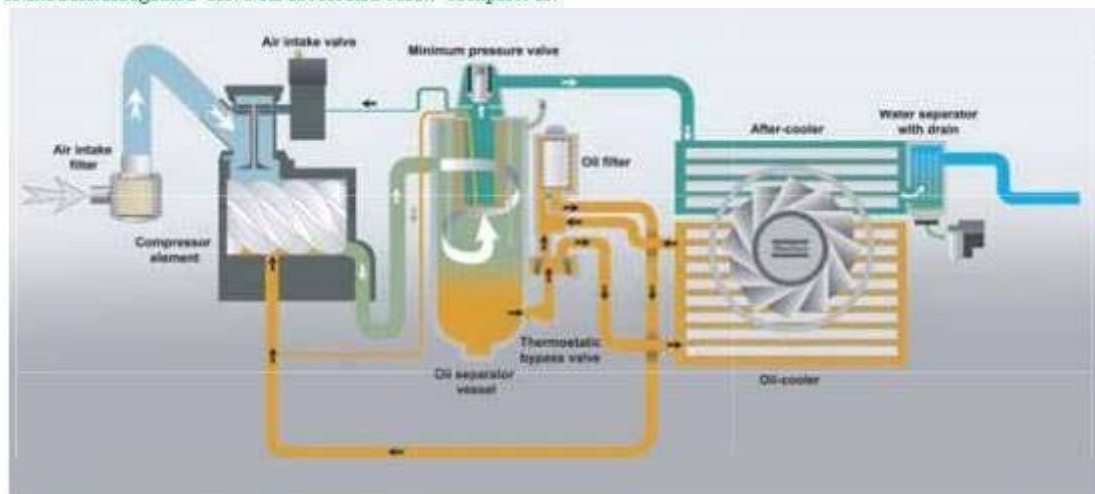
PIB: 106903470



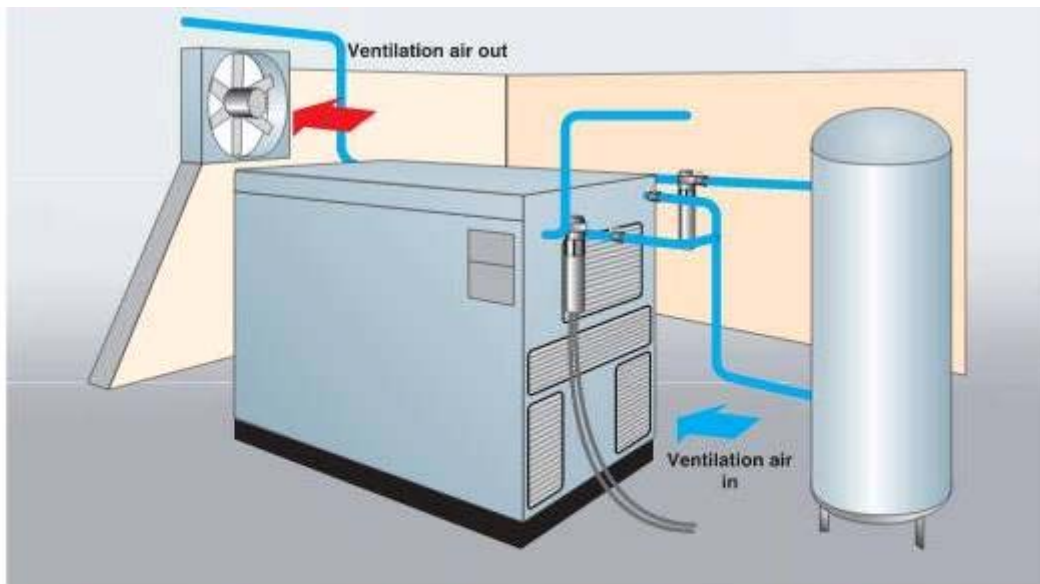
Matični broj: 20703083
Šifra delatnosti: 3312
Tek. račun: 325-9500700026019-29
Tel. +38123/ 265-501,064/ 120-1897
Fax. +38123/ 265-501
www.kompresori.co.rs
tonycompressors@yahoo.com



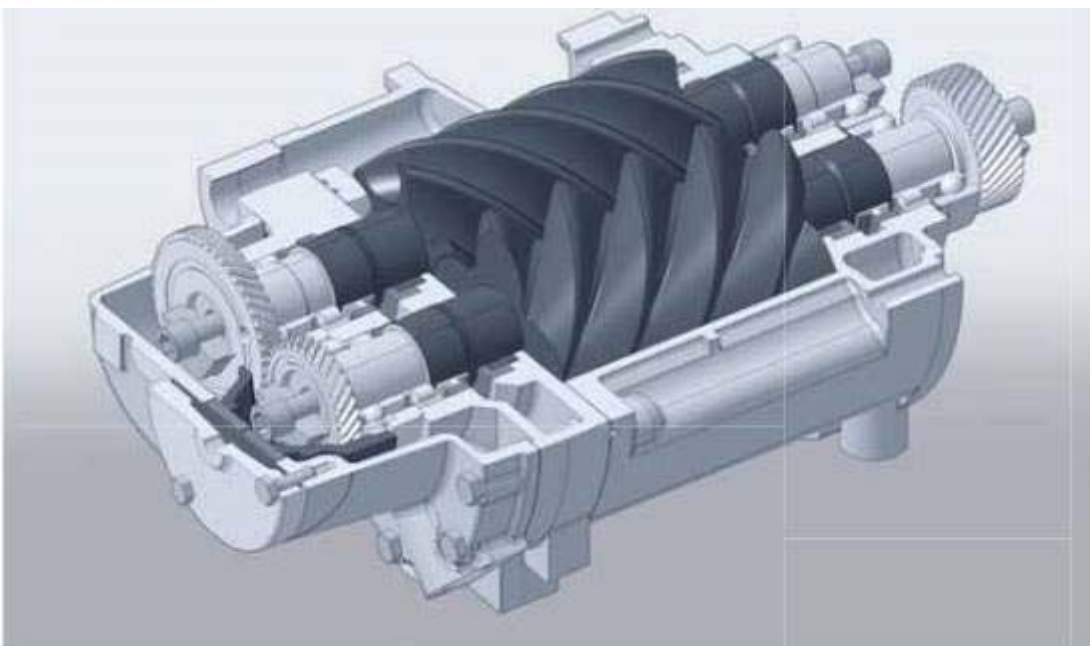
A modern integrated-drive oil-lubricated screw compressor.



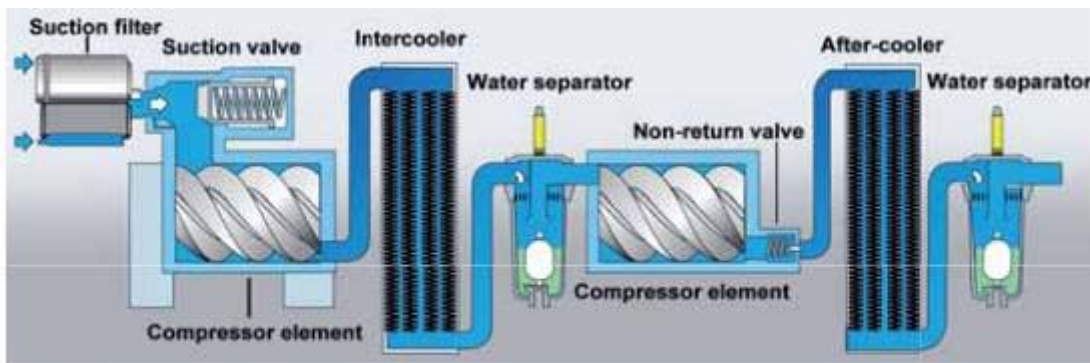
Oil-injected screw compressor flow diagram.



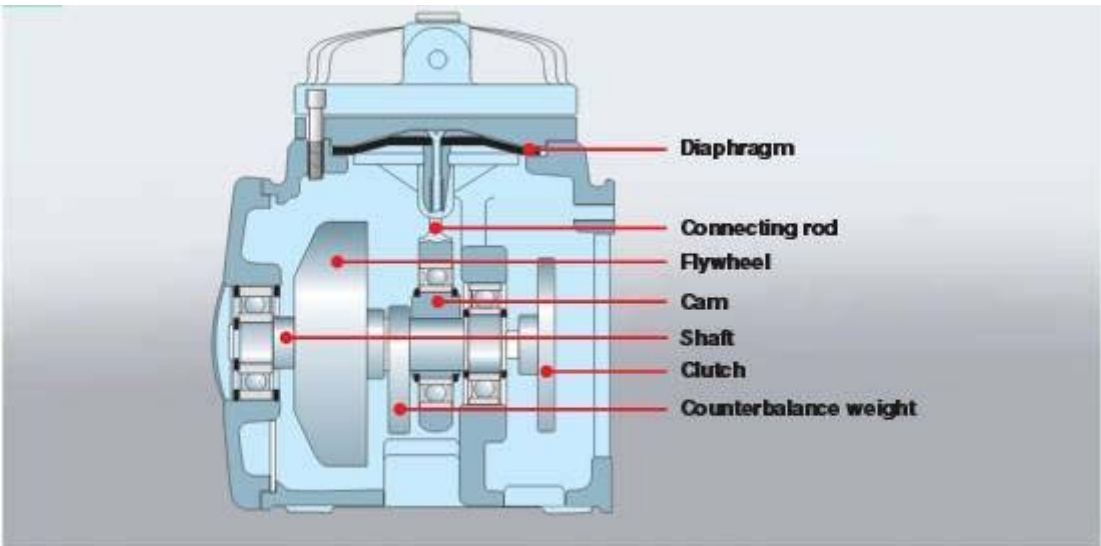
A simple compressor installation in practice. An oil separator must be installed, if there is a risk that the waste condensation water contains oil.



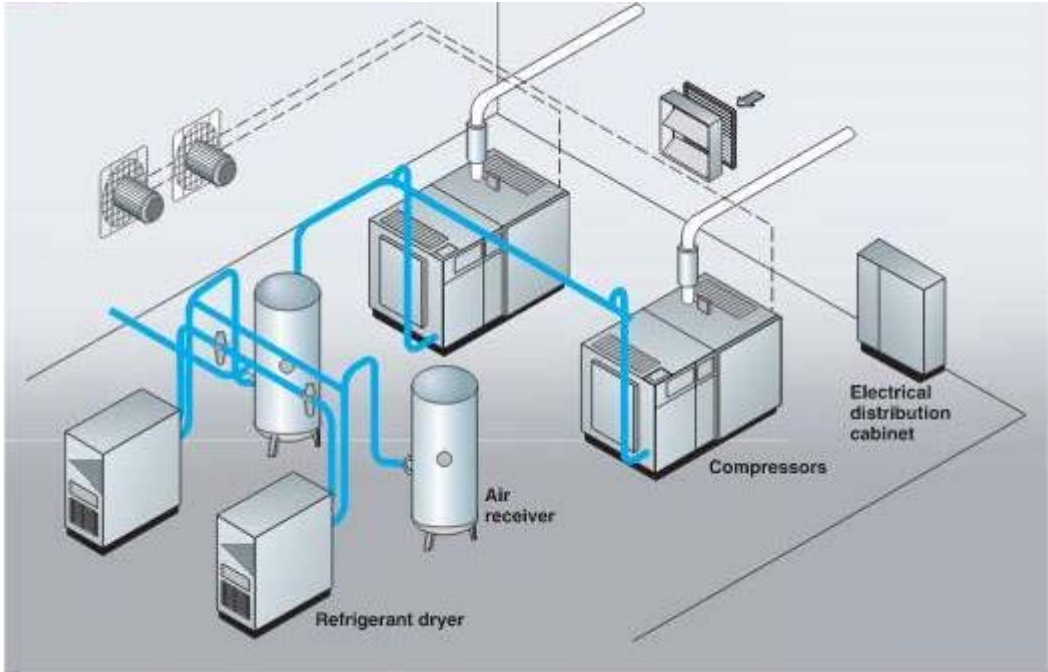
Oil-free screw compressor stage, with water-cooled rotor housing, air seals and oil seals at both ends, and a set of synchronizing gears to maintain the very small rotor clearances.



Oil-free screw compressor flow diagram.



Mechanical diaphragm compressor, in which a conventional crankshaft transfers the reciprocating motion via a connecting rod to the diaphragm.



Example of a hospital installation with closed supply on the suction side and 100% redundant system.